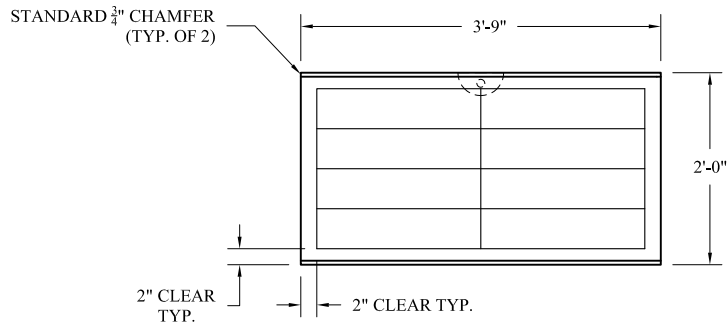
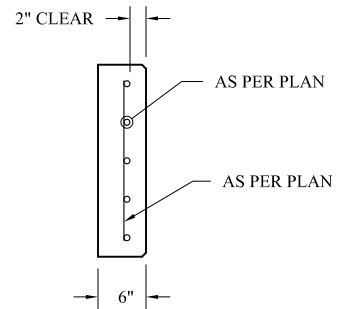


PLAN VIEW



PROFILE VIEW



GENERAL NOTES:

1. CONCRETE: 5,000 PSI @ 28 DAYS.
2. AIR: 6% ± 2%.
3. REINFORCING: ASTM A-615 GRADE 60, EPOXY COATED
4. QUANTITY: EACH
5. WEIGHT: 563 LBS PER PANEL

NCI

Norwalk Concrete Industries

80 Commerce Drive
Norwalk, Ohio 44857
www.nciprecast.com

Toll Free 800.733.3624
Phone 419.668.8167
Fax 419.663.0627

CUSTOMER
PROJECT NAME
24" X 45" X 6" LAGGING PANEL
NCI JOB #

REVISIONS:	DWG:	DATE:	SHT. -
	LP-0001-19	06.17.19	OF -
			BEU